

CURBIE™

PARKING CURB

CURBIE™ is North America's most innovative parking curb. Made out of 100% recycled rubber, CURBIE™ has raised edges to slow down premature peeling on the reflective tape.

 100% RECYCLED RUBBER

 UV RESISTANCE

 1 YEAR WARRANTY ON TAPE

 3 YEAR WARRANTY ON RUBBER

LEED MAY QUALIFY FOR L.E.E.D CREDITS



CURBIE™ is ideal for retail/commercial/business parking lots, and municipalities.

 **RAISED EDGES ON ALL CURBIE™**
TO STOP PREMATURE TAPE PEELING

 **COUNTERSUNK HOLES**
FOR NECESSARY HARDWARE

 **EQUIPPED WITH THICK RIBS**
TOUGHER THAN THE COMPETITION



PICTURED: 6' CURBIE™

AVAILABLE IN YELLOW OR WHITE TAPE
WITH OPTIONAL CUSTOMIZABLE NAMEPLATE



PRODUCT	LENGTH	WIDTH	HEIGHT	# SPIKES NEEDED	WEIGHT
6' CURBIE™	72"	6"	4"	4	36 LBS
4' CURBIE™	50"	6"	4"	3	25 LBS
3' CURBIE™	38"	6"	4"	2	13.5 LBS

NOTE: Exact measurements can range +/- 3%



**PROUDLY
MADE IN
THE USA**



PRODUCT INFORMATION SHEET

Product Name: **Curbie – parking curb**

Models: 4" high, 6" wide;
6', 4', 3' long

Manufacturer: Clearline Technologies Ltd.
Tel.: +1 (204) 786-3334 Email: engineering@clearline.ca

Product Description: 1. Material: compression molded rubber composite of the 100% recycled rubber and polyurethane prepolymer.

2. Physical properties of the rubber composite:

- | | | |
|--------------------------------------|---------------------------------|--------------|
| a) Density | 0.688 oz/cu in | (ASTM C642) |
| b) Durometer Hardness | 65A ± 7 | (ASTM D2240) |
| c) Tensile Strength* | minimum 250 psi | (ASTM D412) |
| (* main structural areas) | | |
| d) Compression deformation | 10% at 50psi, 68°F | (ASTM D575) |
| e) Coefficient of thermal expansion: | 1.4 x 10 ⁻⁴ in/in/°F | (ASTM C531) |

3. Available models: 6', 4', 3' long.

4. Basic dimensions and nominal weight as per attached drawing

5. Finishing: Black with reflective yellow or white parallelogram

Components: a) 100% recycled rubber from car and truck tires (NR, SBR)

b) polyurethane prepolymer for rubber granules

c) reflective yellow or white traffic marking tape

Attached Drawing: 6' model drawing No.: TC6Y_00 / TC6W_00

4' model drawing No.: TC4Y_00 / TC4W_00

3' model drawing No.: TC3Y_00 / TC3W_00

8

7

6

5

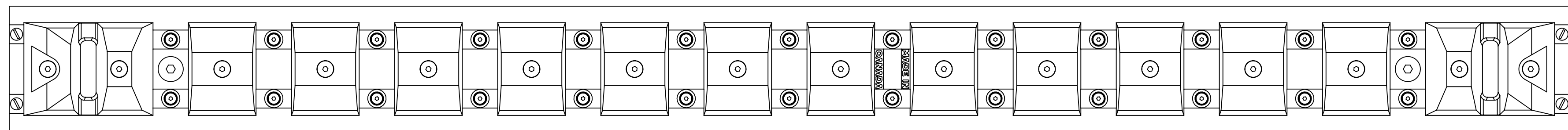
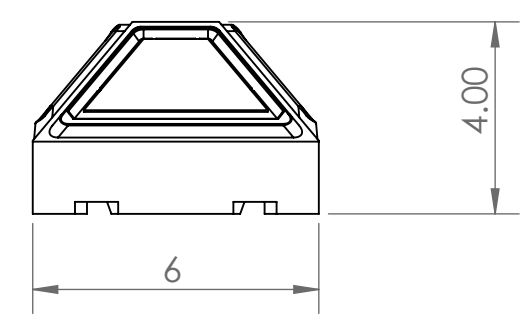
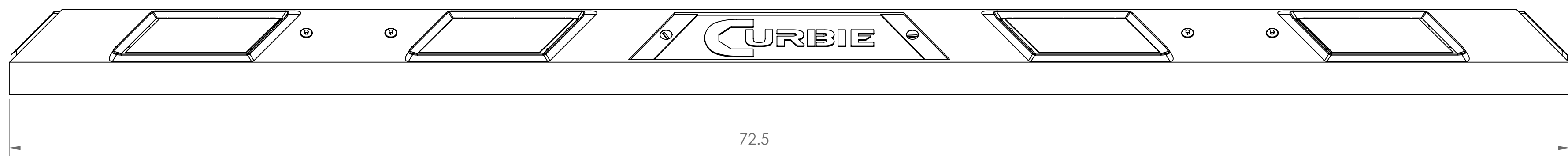
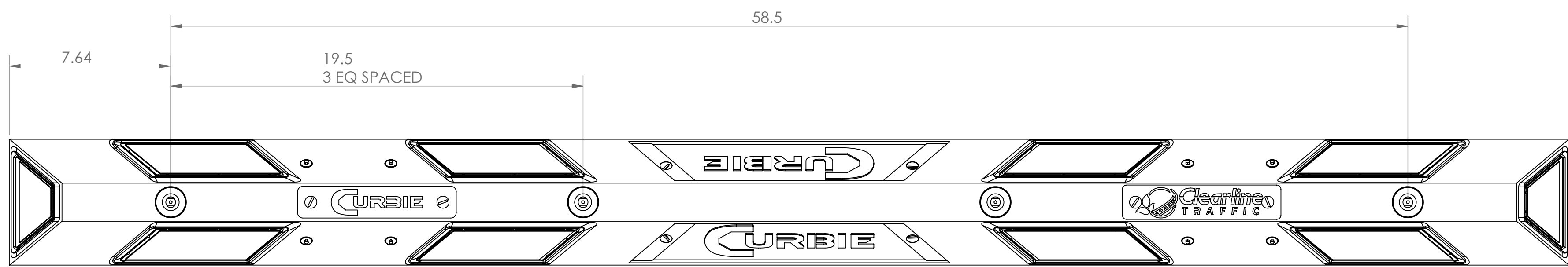
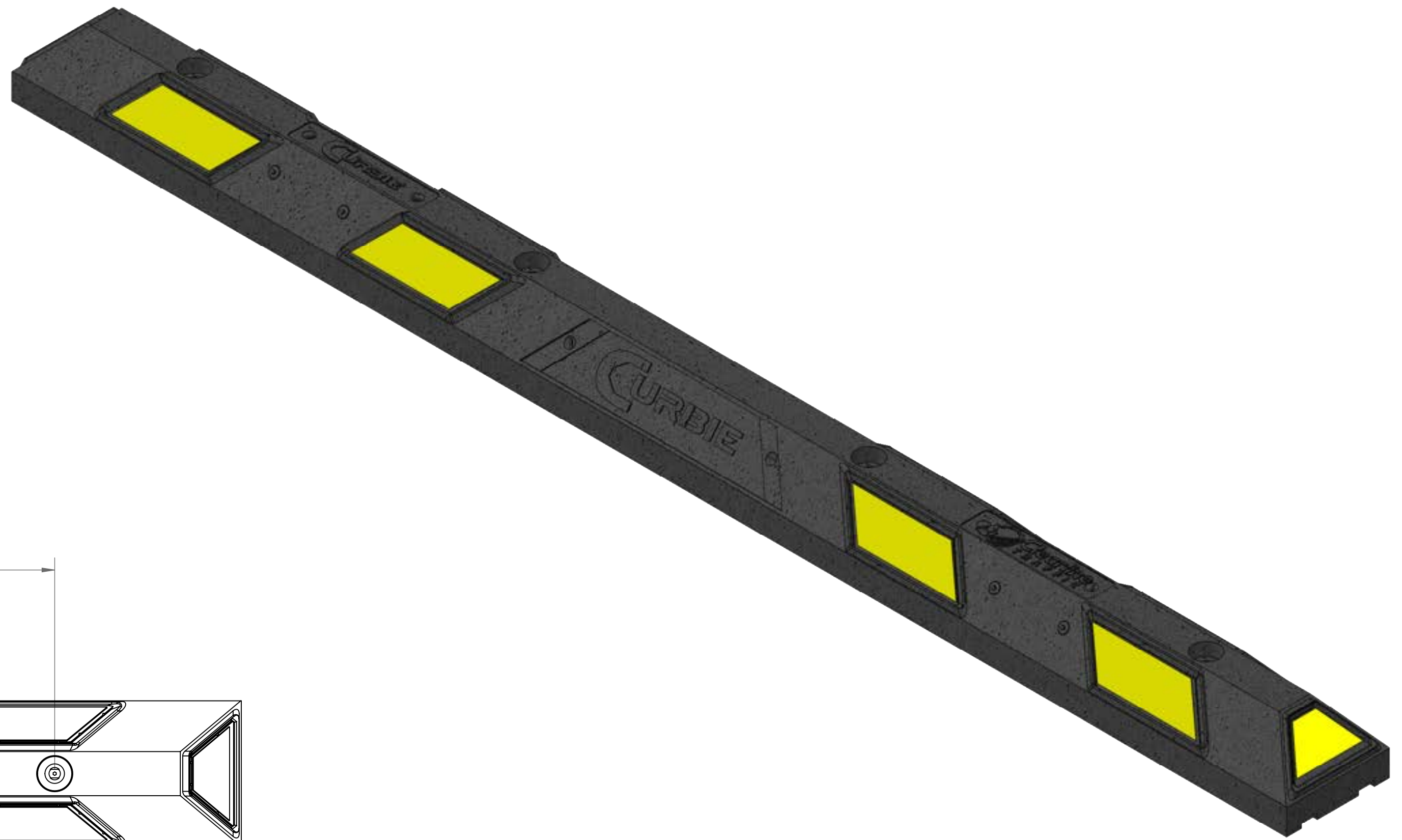
4

3


2

1

PROPRIETARY AND CONFIDENTIAL
THE INFORMATION CONTAINED IN THIS DRAWING IS THE SOLE
PROPERTY OF CLEARLINE TECHNOLOGY.
ANY REPRODUCTION IN PART OR AS A WHOLE WITHOUT THE WRITTEN
PERMISSION OF CLEARLINE TECHNOLOGY IS PROHIBITED.



NOTES:
1. ALL DIMENSIONS COULD VARY UP TO ±2%

STATUS MFG UNLESS OTHERWISE SPECIFIED: DRAWING STANDARD ASME Y14.5 THIRD ANGLE PROJECTION DIMENSIONS ARE IN INCHES AND (MM) WEIGHT IS IN POUNDS TOLERANCES: ANGLE ±0.5° X ±0.1 IN X.X ±0.02 IN X.XX ±0.01 IN X.XXX ±0.005 IN	MATERIAL	 1205 Sherwin Rd. Winnipeg, MB, Canada R3H 0V1 ph: +1.204.786.3334 engineering@clearline.ca	DESCRIPTION	SIZE
	FINISH		CURBIE 6 FEET, YELLOW PART NUMBER TC6Y_00	D
	DRAWN BY: Alex V. DATE: 2021_07 APPROVED BY: Alex V. DATE: 2021_07		SCALE: 1:4	WEIGHT: 36.65
				SHEET 1 OF 1

8

7

6

5

4

3

2

1